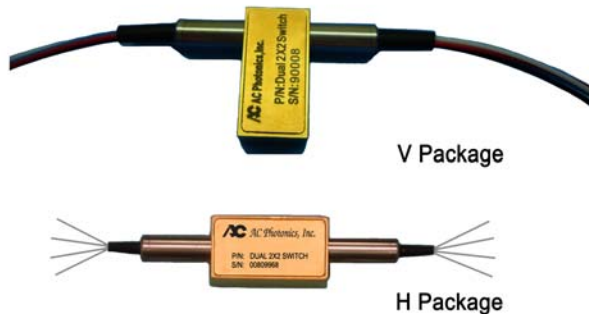




DUAL 2x2 Mechanical Single-mode Fiberoptic Switch

AC Photonics' MS Series switch connects optical channels by redirecting an incoming optical signal into a selected output fiber. This is achieved using patent pending opto-mechanical proprietary configurations and activated via an electrical control signal. The mechanical operation offers ultra-high reliability and fast switching speed as well as bi-directional performance. The MS fiberoptic switches are true switching solution for optical networking applications.



Features

- Unmatched Low Cost
- Low Insertion Loss
- Latching or Non-Latching
- High Channel Isolation
- Highly Stable and Reliable
- Epoxy Free Optical Path

Applications

- Optical Signal Routing
- Optical Network Protection/Restoration
- Configurable Optical Add/Drop
- Transmitter and Receiver protection
- Network Test Systems
- Instrumentation

Performance Specifications

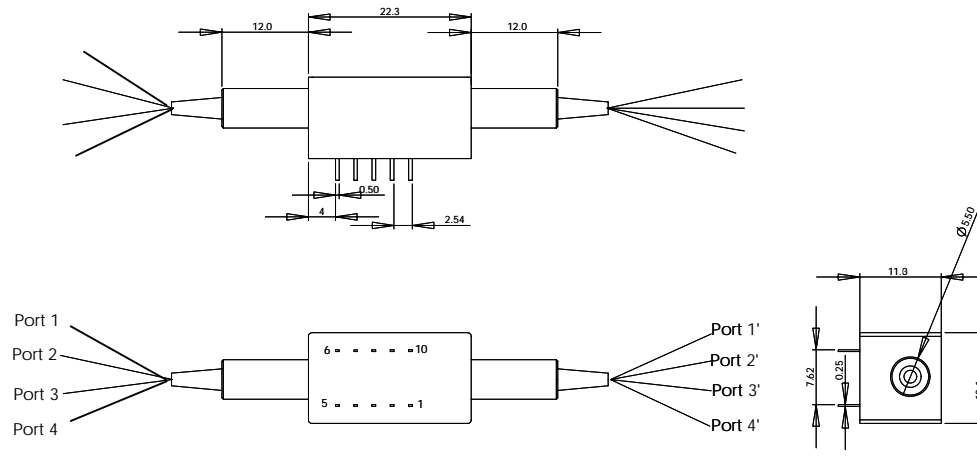
Parameter	Specification	
Operating Wavelength (nm)	830±40,1310±40 or 1550±40	830/1310,830/1550,1310/1550
Insertion Loss (dB)	≤0.8(PGrade), ≤1.0 (A Grade)	≤1.0(P Grade), ≤1.2(A Grade)
Wavelength Dependent Loss(WDL)(dB)	≤0.25	≤0.30
PDL (dB)	≤0.05	
Cross Talk (dB)	≥55	
Return Loss (dB)	≥55	
Switching Speed (ms)	≤10 (4 typ.)	
Drive voltage (V)	5 ±10%	
Power Handling(mW)	500	
Durability (Cycles)	10 Million	
Operating Temperature (°C)	0 ~ +70	
Storage Temperature (°C)	-40 ~ +85	
Dimensions (mm)	H Package 22.3x12.1x11.0; V Package 25x12.6x8.5	

Specifications may change without notice

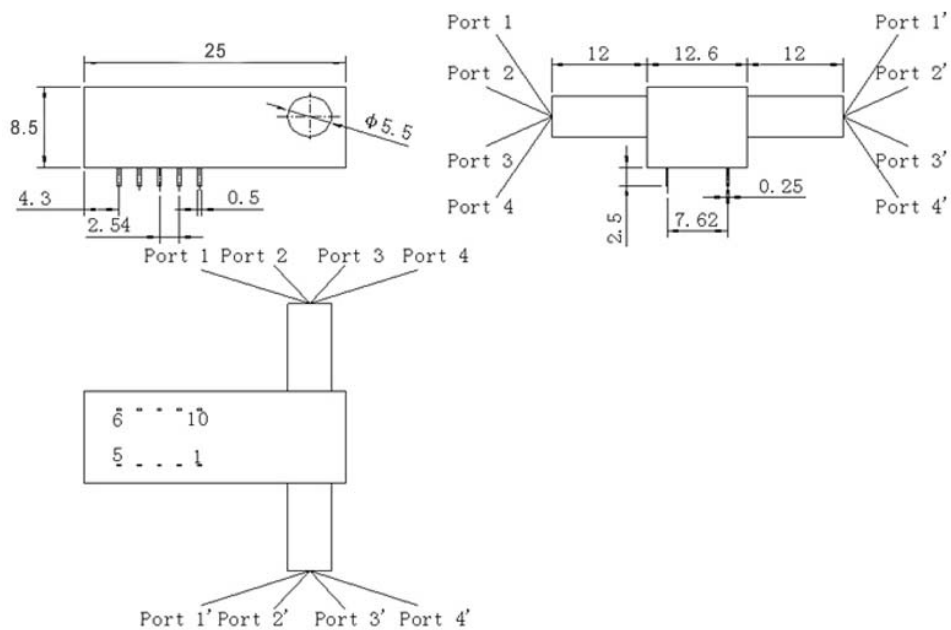
Ordering Information

Option	Operating Wavelength	Port	Grade	Pigtail Style	Fiber Length	In/Out Connector	Package
2MS <input type="checkbox"/> <input type="checkbox"/> <input type="checkbox"/> <input type="checkbox"/> <input type="checkbox"/> <input type="checkbox"/> <input type="checkbox"/> <input type="checkbox"/>	L= 13= 1310±40nm Latching 15= 1550±40nm N=Non 85= 850±40nm Laching 35=1310/1550nm 38=1310/850nm 58=1550/850nm	0202=2x2	P=Pgrade A=Agrade	1=Bare Fiber	1=1m 2=2m	0=None 1=FC/APC 2=FC/PC 3=SC/APC 4=SC/PC 5=ST 6=LC 7=Duplex LC	H=H Package V=V Package

H Package Dimensions (mm)



V Package Dimensions (mm)



Electric Configuration

Optical Path		Port 1 - 3' and Port 2 - 4'		Port1-1', Port2-2', Port3-3' and Port4-4'	
Electric Drive	Non-Latching	Pin1	Pin10		
	Latching	Pin1	Pin5	Pin6	Pin10
		V+	GND	GND	V+
Status Sensor	Non-Latching	Pin2-3, Pin8-9 Open		Pin2-3, Pin8-9 Close	
	and Latching	Pin3-4, Pin7-8 Close		Pin3-4, Pin7-8 Open	

Parameter	Typical	Min	Max	Unit
Switch Voltage	5	4.5	5.5	V
Switch Current	>40			mA
Pulse Duration	>20			ms

